

Features

- Unit consisting of 2 air operated valves for temperature control applications in automated wine processing plants designed as a feed or return flow module
- Inlet/outlet orifice for G 3/4" exchanger
- Pneumatic connection with incorporated 4 x 6 mm instant fitting
- Optical position indicator on valve operator
- Symmetrical valves capable of rotation in 180° increments for individual mounting position to allow for different placement of an isolation valve or a G3/4 orifice
- The 2-valve module can be mounted in any position without affecting operation
- Certified for use in wine production with no risk of contamination of products in contact with valve (French EXCELL Laboratory green label certification)

Construction

Valve Parts in Contact with Fluids	
Valve Body	Brass, nickel-plated
Stuffing Box Body	Polyamide, glass-fibre filled
Stem	Stainless Steel
Disc	Brass
Stuffing Box Seal	PTFE Chevrons
Disc Seal	PTFE
Other Materials	
Operator	PA, glass-fibre filled
Optical Position Indicator	PA 12

General Specifications

Differential pressure: 0-145 psi (0-10 bar)

Maximum allowable pressure: 232 psi (16 bar)

Ambient temperature range: 14°F to 140°F (-10°C to 60°C)

Maximum viscosity: 600 cSt (mm²/s)

Pilot fluid: Filtered air

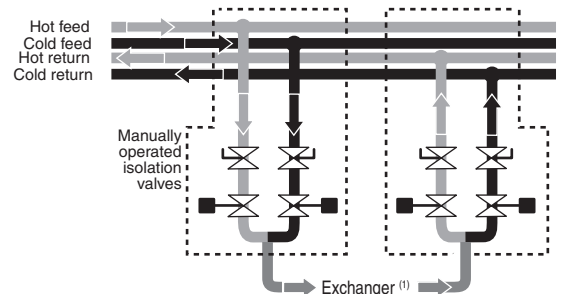
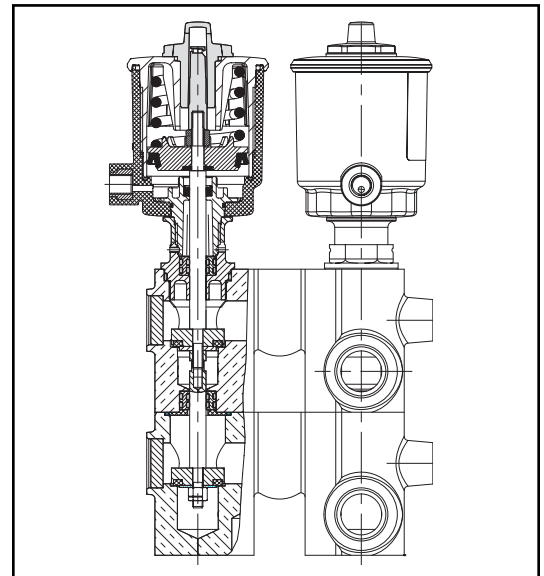
Max. pilot pressure: 145 psi (10 bar)

Min. pilot pressure: See next page

Pilot fluid temperature: 14°F to 140°F (-10°C to 60°C)

Fluids (*)	Temperature Range	Seal Materials (*)
Water, Liquids groups 1 & 2	14°F to 140°F (-10°C to 60°C)	PTFE

* Ensure that the compatibility of the fluids in contact with the materials is verified



SPECIAL SERVICE VALVES

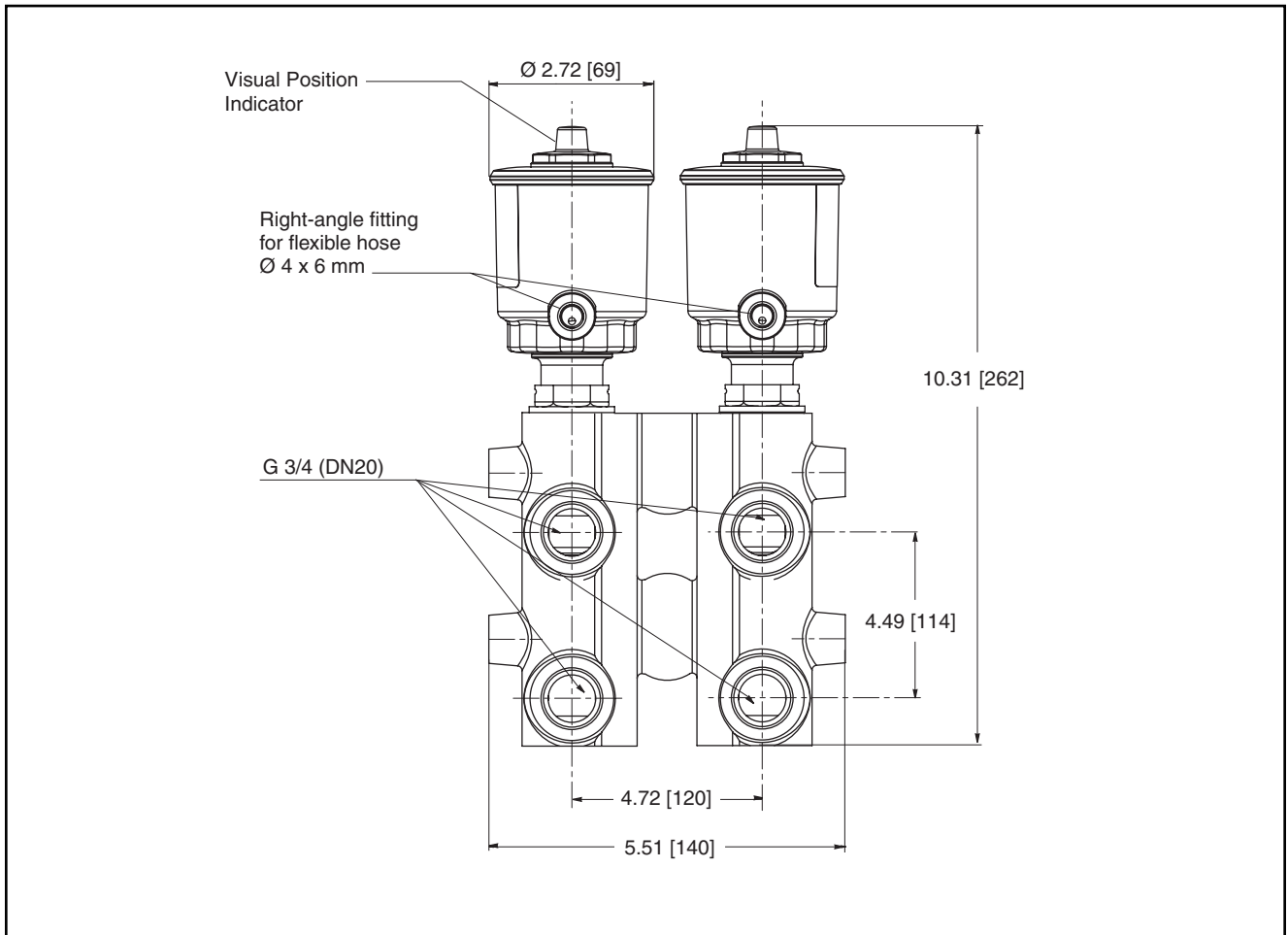
Specifications English units (Metric)

Pipework (ISO 6708)		Cv Flow (Kv = m³/h)	Pilot Pressure psi (bar)		Operating Pressure Differential psi (bar)		Operator Diameter mm	Catalog Number with Visual Position Indicator
Pipe Size (in)	DN		Min.	Max.	Min.	Max.		
						Water, Liquids		
Normally Closed - Entry Under the Disc								
3/4	20	5.6 (4.8)	72.5 (5)	145 (10)	0	145 (10)	50	29060066

Installation

- The valves can be mounted in any position without affecting operation
- Pipe connection identifier is: G = G (ISO 228/1)
- Installation/maintenance instructions are included with each 2-valve module

Dimensions inches (mm)



SPECIAL SERVICE VALVES